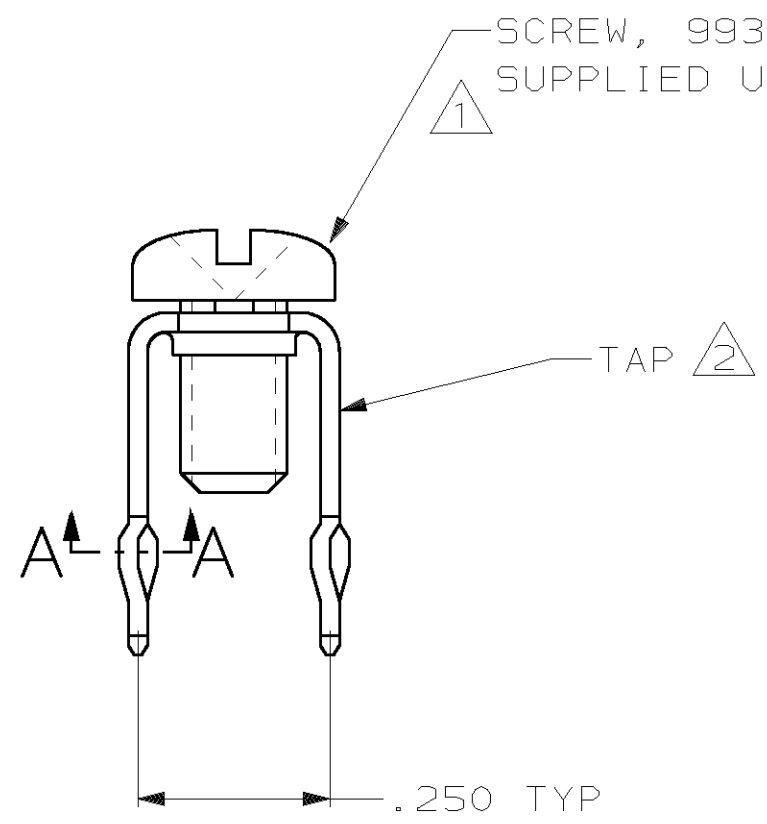
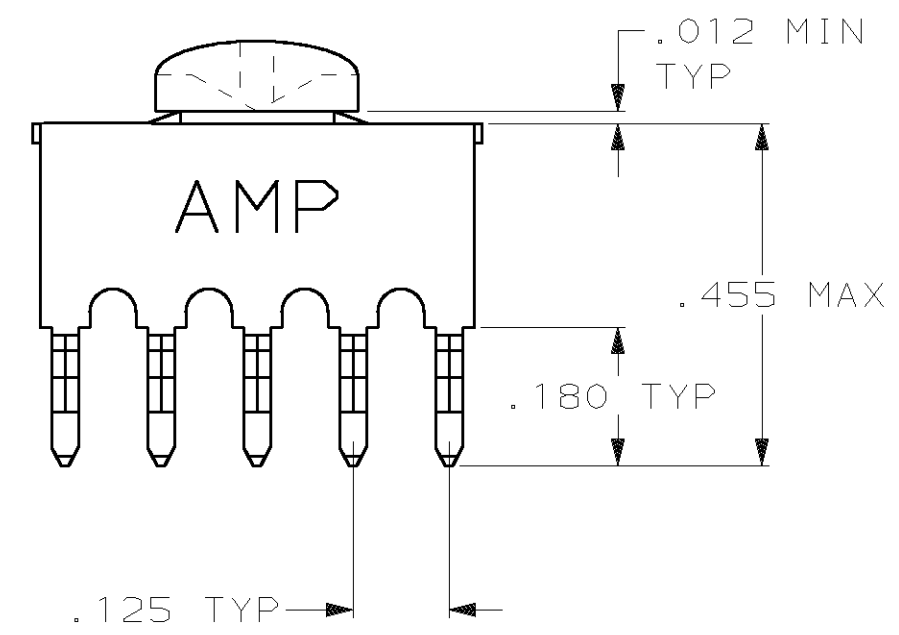
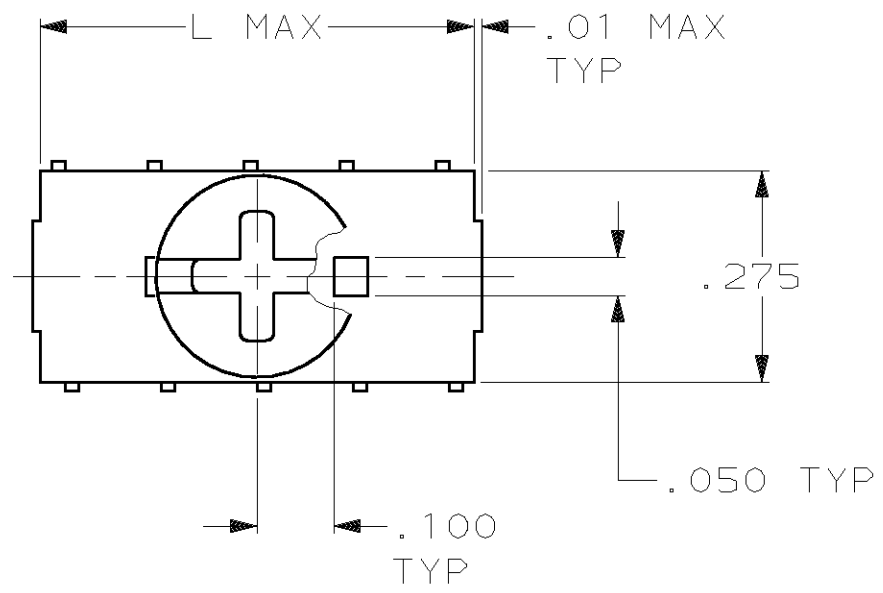


THIS DRAWING IS UNPUBLISHED. RELEASED FOR PUBLICATION, 19 .
 © COPYRIGHT 19 BY AMP INCORPORATED. ALL INTERNATIONAL RIGHTS RESERVED.

MOD	LOC	DIST	P	F	REVISIONS			
ZONE	LTR	DESCRIPTION	DATE	APPD				
					M	REV PER OUE0-0037-01	170CT01	JR



- ① TO PREVENT THREAD STRIPPING, SCREW TORQUE SHOULD NOT EXCEED 9 IN LBS.
- ② TAP HOLE IS 6-32UNC-2B, TWO MIN THREADS.
- ③ FINISH .000150 BRIGHT TIN-LEAD OVER .000050 NICKEL .



SECTION A-A
 SCALE 10:1
 10 PLACES

.57	YES	10	1-55323-0
.32	YES	6	55323-9
.57	NO	10	55323-6
.32	NO	6	55323-5
L	993879-1	NUMBER OF POSN	PART NO

DO NOT SCALE PRINT. UNLESS SPECIFIED DIMENSIONS IN INCHES TOLERANCES ON: 2 PLC DEC ± - 3 PLC DEC ± .008 ANGLES ± - MATERIAL COPPER ALLOY 725, .025 THICK FINISH ③	DR 1-11-88 J. McCLINTON	AMP AMP INCORPORATED Harrisburg, Pa. 17105
	CHK 1-11-88 R. STONE	
	APPD 1-15-88 M. GALLOWAY	NAME TAP, POWER DISTRIBUTION
	APPD 1-15-88 M. GALLOWAY	PRODUCT SPEC
FINISH ③	APPLICATION SPEC	SIZE B FSCM NO 00779 DRAWING NO 55323 SCALE 4:1 SHEET 1 OF 1
WEIGHT		